

Hardware Multiplication

Multiplicand				1	0	0	1
Multiplier				1	0	1	0
				0	0	0	0
			1	0	0	1	0
		0	0	0	0	0	0
	1	0	0	1	0	0	0
Product	1	0	1	1	0	1	0

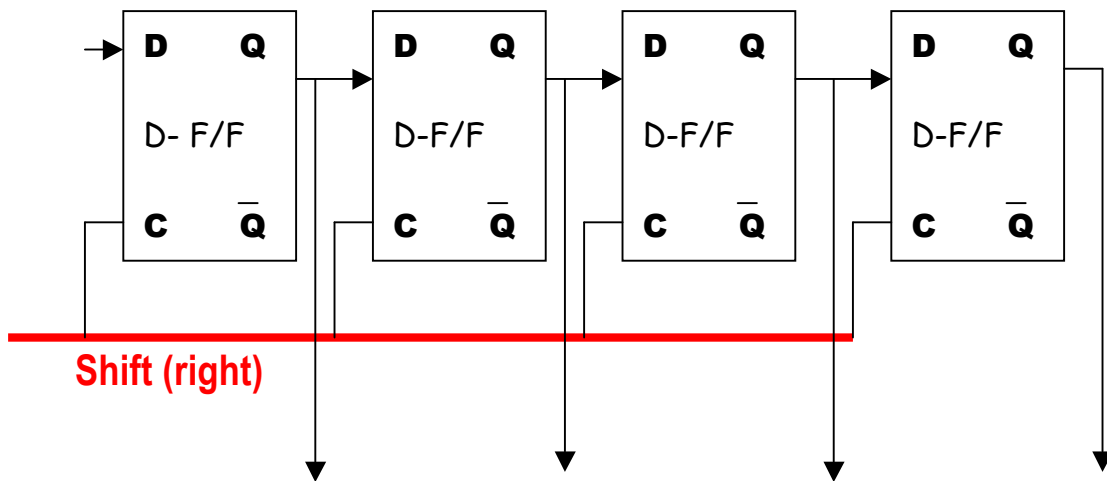
The basic operations are **ADD** and **SHIFT**. Now let us see how it is implemented by hardware.

By now, you know all the **building blocks**.

The Building Blocks

A shift register

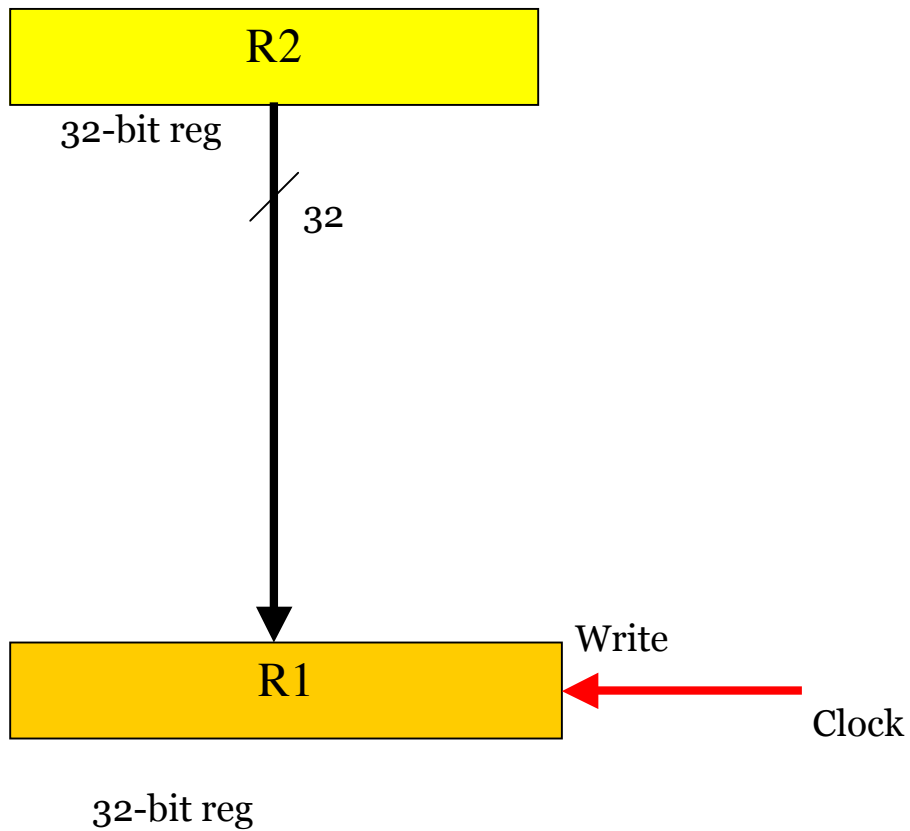
Review how a D flip-flop works



With **each clock pulse** on the shift line, data moves one place to the right.

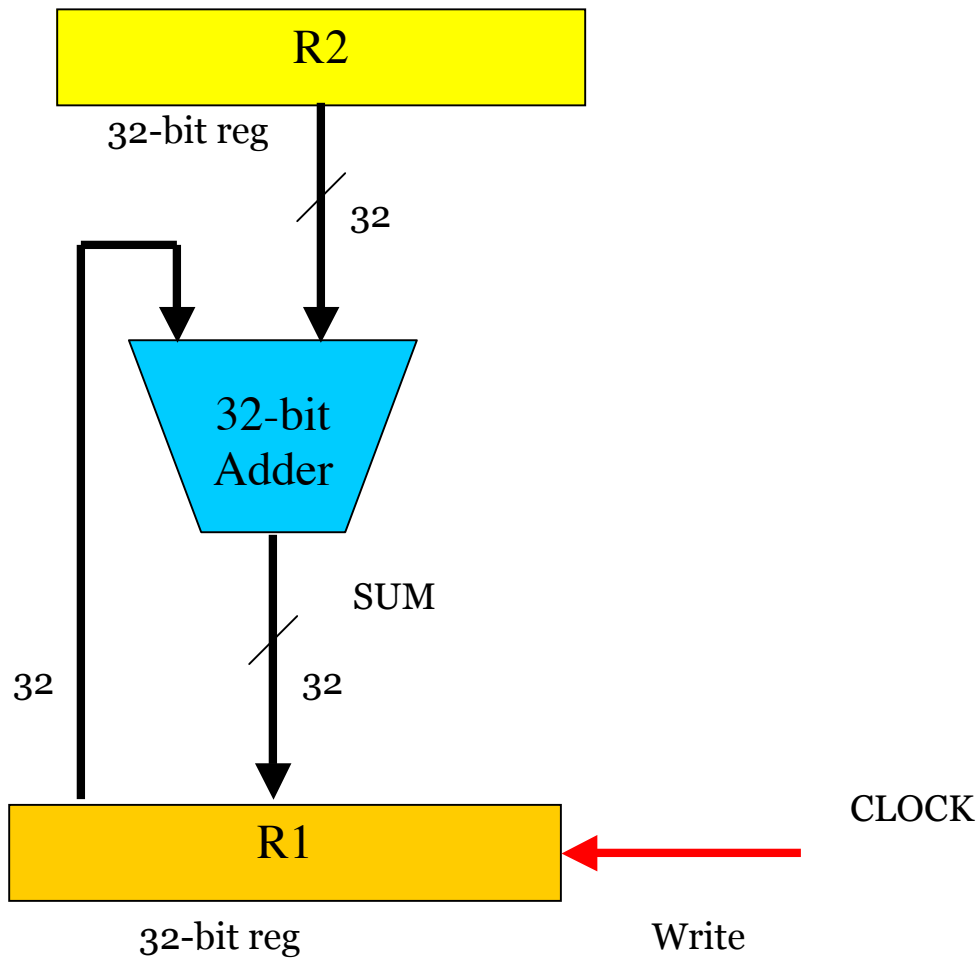
Executing $r1 := r2$

How to implement a simple register transfer $r1 := r2$?



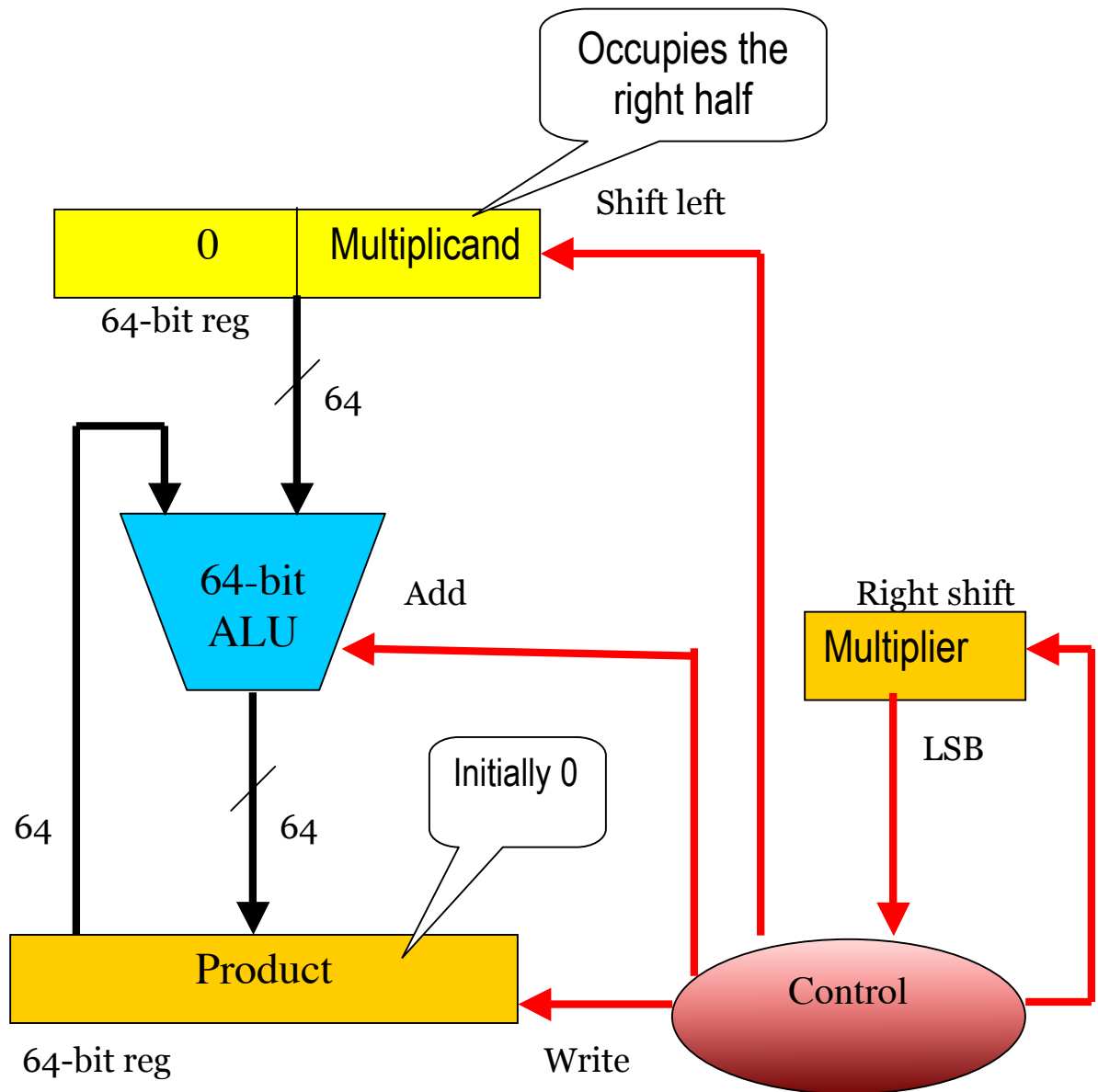
It requires only **one clock pulse** to complete the operation.

Executing $r1 := r1 + r2$



It requires only **one clock pulse** to complete the operation.

A Hardware Multiplier



If LSB of Multiplier = 1 then add else skip;
Shift left multiplicand & shift right multiplier

How to implement the control unit?

Division

The restoring division algorithm follows the simple idea from the elementary school days. It involves subtraction and shift. Here is an implementation by hardware

